

Atomizer Disposable Box

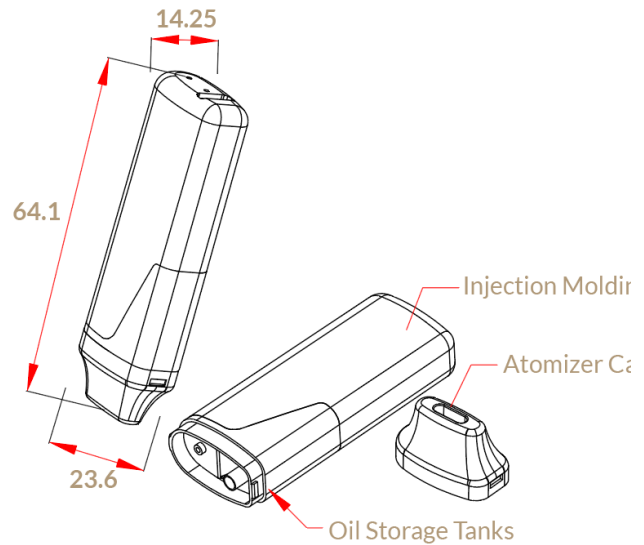
KCT-B10



FEATURE

- The oil storage tank has a double-air channel structure, and the smoke can be released by inhaling. The SUS316 atomizer is more resistant to high temperature.
- Dimension:
64.1mm(L)*23.6mm(W)*14.25mm(T)
- Bottom Charging Port: Type-C
- Oil Storage Capacity: 2.0ML

DIMENSION



Disposable Specification

Standard Capacity	2.0ML	
Cell Material System/Model	Lithium Battery: Pure cobalt	
Battery Capacity	300mAh	
Nominal Voltage	3.7V	
Activation Mode	Mouth breathing triggers microphone	
Charging Interface	Bottom Charge, MICRO	
Raw Material	Atomizer cap, Material, Color	POK (Environmentally friendly materials food grade) , Spray black rubber oil
	Central Column Material	SUS316 (Stainless steel), Chrome plating
	Oil Storage Tank Material	PCTG-1501
	Atomizing core material	Nickel chromium alloy
	Coil Resistance	1.5Ω
	Silicone Seal material	60-70 degree
	Battery outer tube (shell) material, Craft	Plastic parts-POK, Spray paint (black)
	Tail cover process	The outer tube (shell) and the tail cover are integrated
Resistance Value Range	300±100pa	
Oil Inlet, Height	Φ 2.0mm*4	

Performance Parameter

Items	Main Specs	Remark
Charging time	30~40min (regular)	Input voltage: DC5.0V, charging current about 350mA
Cycle life	300 times	Standard charging 4.2V
Rated working voltage	DC3.6V	
Load resistance range	1.0Ω~3.0Ω	
Lock/unlock	N/A	No gear change
Output Mode	The pneumatic process of mouth inhalation triggers the microphone, and the working output current of the battery used in the product forms a circuit, which converts electrical energy into heat energy to make the atomizing core heat up. When a certain temperature is reached, the CBD liquid absorbed on the oil-conducting cotton is converted into a gaseous state, sublimated to form smoke	White light
Over suction protection	If you take a puff for more than 12 seconds, the system will turn off the output, the LED light will flash 5 times, and you can continue to smoke after the flashing ends.	
Short circuit protection	If there is a short circuit at the output end, when smoking, the white light will flash 3 times and then go out; in this state, there is no output at the output end, and the product realizes automatic protection.	
Overcharge Protection	When the charge is saturated, the white light is always on for 1 minute and then goes out, and the upper voltage limit is 4.15±0.05V.	
Quiescent Current	≤5uA	
Low Voltage Protection	Press the button when the battery voltage is lower than 3.3V, the system will not output, and the gear position light will flash 10 times to indicate that it should be charged.	
Weight	19.30g	
Dimension	Dimension: 64.1mm(L)*23.6mm(W)*14.25mm(T)	Not Include Mouthpiece Silicone Plug
Light Color	White	
Intake Mode	Bottom	
Package Mode	Customized	
Charging Mode	Bottom Micro Charging Port	

Charging Indication	During the charging process, the LED light (white light) is always on, and turns off when it is fully charged; when the battery is exhausted, the light flashes 5 times and then shuts down for protection. And the LED light will flash 3 times for about 1 second after plugging and unplugging the charging head; when the battery is fully charged, after plugging into the USB port, even if there is current flowing, the LED light is not on.	Smoking not available during charging
---------------------	--	---------------------------------------

● **Warranty**

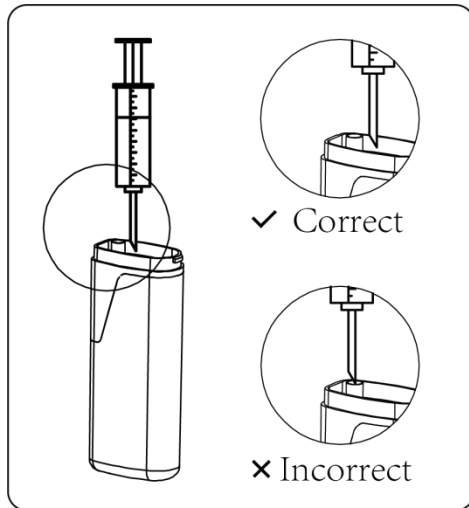
The factory voltage of the product is above 4.0V, the battery shelf life of the whole machine is 6 months, the product can be recharged, the service cycle of the product can reach more than 12 months, the battery self-consumption parameters are as follows:

Serial No.	Leave Factory	Remaining Battery
1	30 days	95%
2	60 days	90%
3	90 days	85%
4	120 days	80%
5	180 days	75%

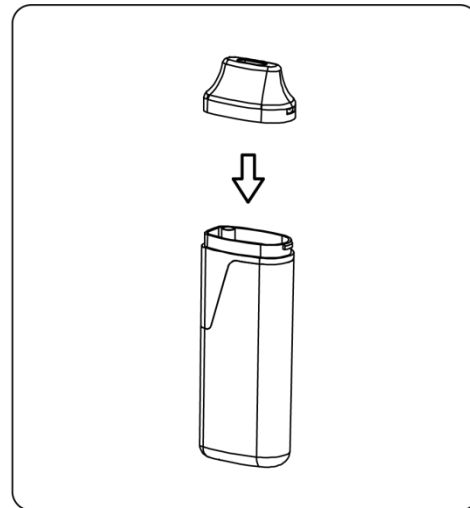
● **Oil Filling Instruction for Disposables**

Please operate according to the oil filling requirements, otherwise there will be a risk of oil leakage.

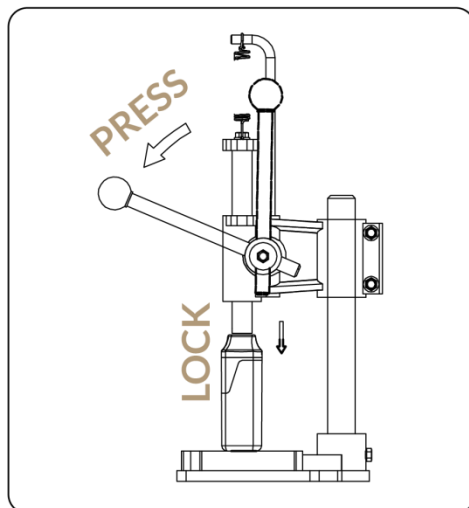
1. Oil Filling Steps



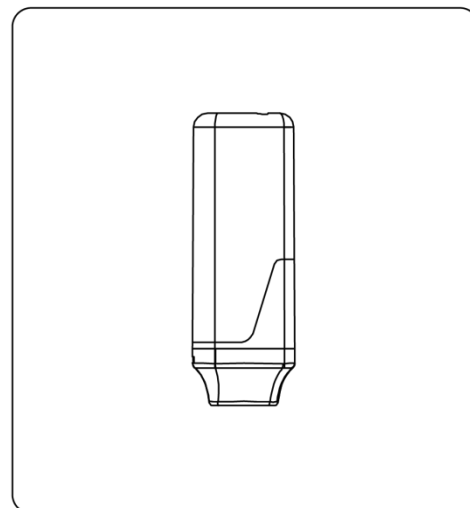
1 The syringe injects cigarette oil along the oil injection hole, control the amount of oil.



2 Immediately lock the cap on tightly, within 30 secs of filling.



3 Press the caps.



4 Place inverted to exhaust air pressure.

2. Precautions

- a. Insert a blunt needle into the space between the inner walls of the oil cup/or into the silicone oil injection hole, do not inject directly from the atomizer airway, otherwise the oil guide cotton will not absorb in time, resulting in oil leakage (as shown in the picture)
- b. During the oil filling process, the product needs to be kept vertical, fill the oil cup with oil through the needle, and do not fill it too full (95% or 98% of the actual oil filling is the best, that is, actually inject 1.95ml-1.98ml of smoke oil), do not fill the oil too fast, it is best to inject at a uniform speed to prevent overflowing, please refer to the oil filling speed (14mm/s) (as shown in the figure);
- c. After filling the oil, put the atomizer cap on as soon as possible (it is recommended to complete this operation within 30 seconds to prevent too much air from entering the oil storage tank and causing errors)(as shown in the figure);

- d. Use mechanical equipment to press the atomizer cap, you must ensure that the cigarette holder is pressed in place, and do not use too much force during the operation (as shown in the figure);
- e. After filling the oil, the product needs to be inverted for 1~2 hours (as shown in the figure).