

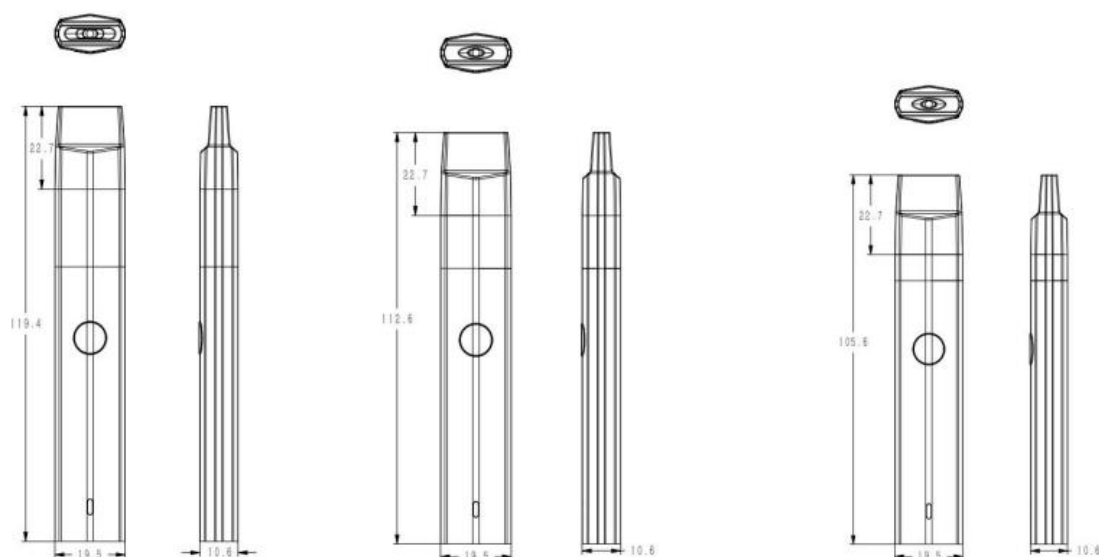
Kushcart EmPower Vape

360° visible tank

KC-D40/C10 (0.5ML) C10(1.0ML) C20 (2.0ML)



DIMENSION



FEATURE

- **Proprietary Programmed Disposable — an AIO with Intelligence!**
An evolution in disposable authentication, solving the most challenging problems in this industry once for all. Best Disposable Vape for High Viscosity Extracts.
- **Manufactured at an ISO13485 pharma-grade and GMP Certified facility.**
Vapor tube made from SUS316L Stainless Steel.
The UL Certified 300mAh battery is rechargeable via a micro-USB port, built-in at the base, ensuring that your disposable will always have the charge to get to the very last drop

Disposable Specification

Volume	0.5ml 1.0ml 2.0ml
Dimension	19.5 x 10.6 x 105.6mm (0.5ml) 19.5 x 10.6 x 110.6mm (1.0 ml) 19.5 x 10.6 x 119.4mm (2.0 ml)
Airflow	Bottom Airflow
Filling Method	Top Fill
Mouthpiece Material	PC
Mouthpiece Style	Flat
Resistance	1.4Ω
Heating Core Material	Ceramic
Center Post	SUS316L
Tank Material	PCTG
Aperture Size	1.6mm*4 or 2.0*4
Activation	Button Activated: To turn on/off the device, click the button 5 times rapidly. The LED light will flash 1 time to indicate it is on.
Preheat Mod	1.8V (2 Clicks on the Button to Activate Preheat Mode)
Battery Capacity	300mAh ± 20mAh
Output Voltage	3.5V
Charging Port	Type-C

Ordering Information

KC-D40/C05	0.5l
KC-D40/C15	1.5ml
KC-D40/C20	2.5ml

Color Customize Available



Filling Guide:

1. Fill the tank with your cannabis oil. Gently put the syringe between the airway and the outer wall of the oil tank and fill the tank with oil at a proper speed.

- ▲ Do not allow oil to enter the center airway!
- ▲ Do not top off the tank with oil.
- ▲ While filling oil, avoid dropping oil onto the shell to prevent chemical reactions. If so, please wipe it off immediately.

2. Press on the mouthpiece within 3 minute after filling! We highly recommend to use capping machine to press on the mouthpiece.

- ▲ Failure to insert the mouthpiece immediately after filling may cause leakage.
- ▲ Cap the product with a hand punch or a professional capping machine.

Notification

1. Do not throw the product into water or get it wet.
2. Do not heat the product.
3. Do not use or store next to a heat source such as a fire or heater.
4. Do not hit, throw or subject the product to severe mechanical shock.
5. Do not use nails or other sharp objects to pierce the shell of this product. Do not hammer or pedal the product.
6. Do not disassemble the

TAILOR OUR DEVICE FOR YOUR OIL'S BEST HIT

Connect with EmPower Reader for Optimal Power

Dial-In the perfect temperature for your concentrates for the best experience!

Use the EmPower Controller to program your device to the temperature you need for each concentrate for easy research and development to specify the voltage and ohm (resistance) needed for your oil types when deciding on the best settings for a production order.

The EmPower Controller gives puts the power in your hands to create the best user experience so your company can reach a higher level.

- **Product Authentication**
- **User-Friendly Interface**
- **Output Power Reading/Writing**
- **Battery Status**
- **Long Battery Life**

