



Product Specification

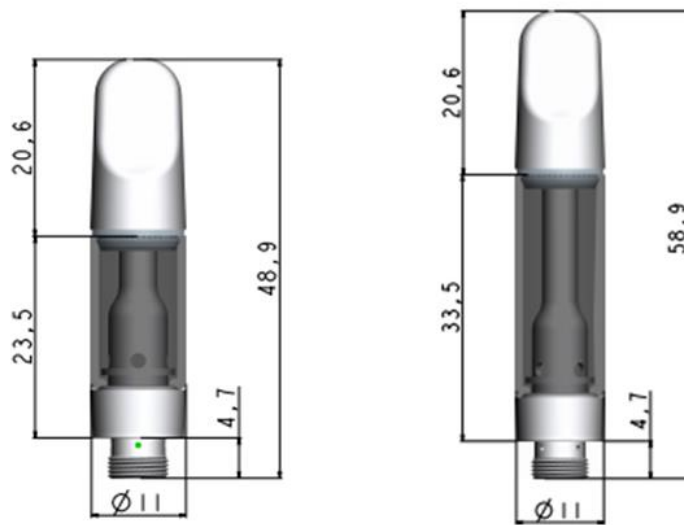
**0.5ml/1.0ml
Zirconia Cartridge**

EmPower Your Oil & Brand to be the BEST.

Customized Device Settings for the BEST Oil
Performance with Device Counterfeit Authentication.



1. Dimension (Picture and Description)



Dimension: $\phi 11 * 48.8\text{mm}(0.5\text{ml}) / \phi 11 * 58.8\text{mm}(1.0\text{ml})$

Appearance: *There are no scratches, cracks, stains, uneven colors, unclear logos, and fades on the appearance of this product.*

2. Features

- Ceramic Heating Core
- Full Zirconia Mouthpiece and Center Post
- Stronger than Metal or Alumina Ceramic
- Open-Top Tank Design
- Low Heat Transfer Coefficient

3. Customized Available

Kushcart Zirconia Cartridge Best for Live Rosin and Live Resin



4. Main Parameter

Technical

Item	Parameter
Volume	0.5ml/1.0ml
Resistance	1.4 Ω
Aperture Inlet	4 x ϕ 1.8mm
Dimension	ϕ 11 x 48.8mm(0.5ml) / ϕ 11 x 58.8mm(1.0ml)
Weight	10g
Heating Core Material	Ceramic
Tank Material	Glass
Mouthpiece Material	Zirconia
Center Post	Zirconia
510 Adapter Ring Material	Zirconia
Outer Thread Material	Chrome Plated Copper
Storage Temperature	23 \pm 5 $^{\circ}$ C

5. Filling Guide

Kushcart Zirconia Cartridge Best for Live Rosin and Live Resin

1. Fill the tank with your cannabis oil.

Gently put the syringe between the airway and the outer wall of the cartridge and fill the cartridge with oil at a proper speed.

▲ *Do not allow oil to enter the center airway!*

2. Press on the mouthpiece immediately after filling!

▲ *Failure to insert the mouthpiece immediately after filling may cause leakage.*

▲ *We highly recommend to use capping machine or hand punch to press the mouthpiece.*

6. Notes

1. Pay attention to the shelf life of filled oil.
2. Handle the glass cartridge with care. Do not crush or throw the cartridge.

7. Storage

1. The storage temperature is $23 \pm 5^{\circ}\text{C}$ and the humidity $50 \pm 10\%$ RH.
2. Place in a cool, dark and ventilated place.
3. Keep the oil-filled cartridge sealed storage and avoid direct sunlight.
4. The storage period should not be too long, so as not to exceed the shelf life of oil.