

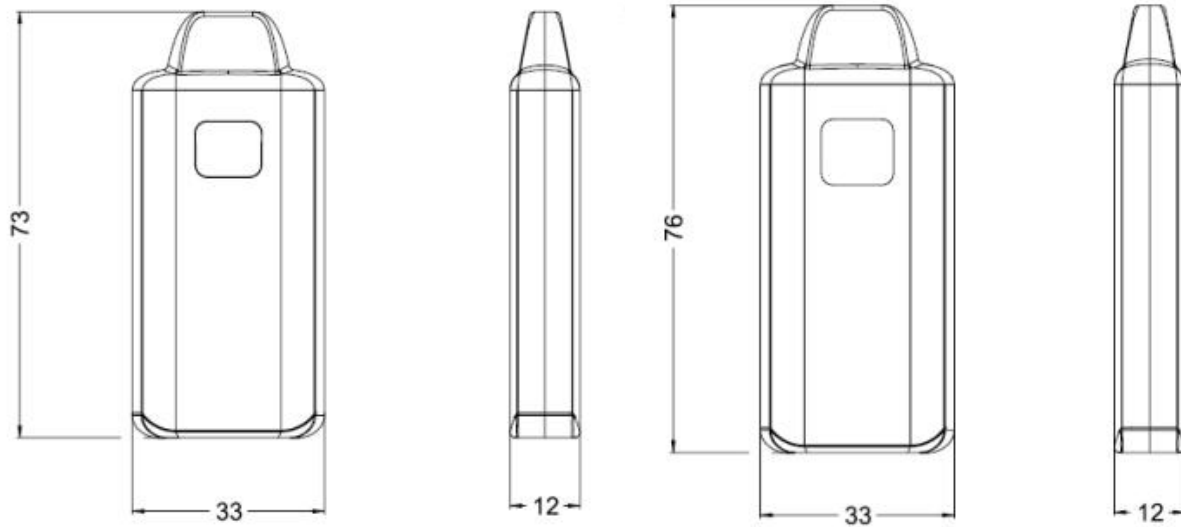
Atomizer AIO Box

Duet 1.0ml

EmPower Your Oil & Brand to be the BEST.

Customized Device Settings for the BEST Oil Performance with Device Counterfeit Authentication.

Dimension (Picture and Description)



Features

- Inhaled Activated
- No Center Post
- Cotton Free Dual Coil Ceramic Core
- Dual Airflow Channels Design for No Clogging
- Rechargeable Battery
- Operation - Inhale to Use
 - 3 press on the button to activate 15s preheating at 3W,
 - 1 press to end preheat mode
- Battery Life
 - 1 press on the button to check the battery life
 - LED Indicator: Red for 0%-19%; Yellow for 20%-59%; Green for 60%-100%
- Short Circuit Protection

Short circuit protection is triggered when the device is enabled. LED indicator flashes red 3 times.

- Overload Protection

Overload protection is triggered when the current rises above a limit. LED indicator flashes red 3 times.

- Timeout Protection

The device will stop working in case of exceeding 10 seconds. LED indicator flashes red 6 times.

- Charging

LED indicator flashes red 10 times when the battery is too low, and there will be no response when the battery has completely run out.

- LED indicator pulses breathing in green when charging and stays on green when fully charged.

Main Technical Parameter

Item	Parameter
Dimension	73 x 33 x 12mm(1.0ml) , 76 x 33 x 12mm(2.0ml)
Tank Volume	1.0ml/ 2.0ml
Resistance	0.7Ω
Mouthpiece Material	PC
Tank Material	PCTG
Activation	Draw Activated
Preheat Mode	3 press on the button to activate 15s preheating at 3W
Battery Capacity	320mAh
Battery Housing	Aluminum
Output Voltage	2.37V
Storage Temperature	23±5°C
Working Temperature	-10°C ~ +50°C
Timeout Protection	Flash Red 6 Times
Short Circuit Protection	Flash Red 3 Times
Low Voltage Protection	Flash Red 10 Times
Overload Protection	Flash Red 3 Times

How to Use

- To activate the Preheat Mode, click on the button 3 times rapidly. LED indicator will breathe up and down in white light during the Preheat Mode. User can press one time to end the preheat mode.

Filling Guide

1. Fill the tank with your cannabis oil.

Gently put the syringe between the airway and the outer wall of the oil tank and fill the tank with oil at a proper speed.

- *Do not top off the tank with oil.*
- *While filling oil, avoid dropping oil onto the shell to prevent chemical reactions. If so, please wipe it off immediately.*

2. Press on the mouthpiece immediately after filling!

- *Failure to insert the mouthpiece immediately after filling may cause leakage.*
- *We highly recommend using a capping machine or hand punch to press the mouthpiece.*

Storage

1. The storage temperature is $23 \pm 5^{\circ}\text{C}$ and the humidity is $50 \pm 10\%$ RH.
2. Place in a cool, dark and ventilated place.
3. Keep the disposable sealed storage and avoid direct sunlight.
4. The storage period should not be too long, so as not to exceed the shelf life of oil.

Notification

1. Pay attention to the shelf life of filled oil.
2. Handle the product with care. Do not throw, or twist the product.